



US0D1022721S

(12) **United States Design Patent**
Zhao

(10) **Patent No.:** **US D1,022,721 S**

(45) **Date of Patent:** **** Apr. 16, 2024**

(54) **CYLINDRICAL SHEATHING**

(71) Applicant: **HongChun Zhao, ShenZhen (CN)**

(72) Inventor: **HongChun Zhao, ShenZhen (CN)**

(**) Term: **15 Years**

(21) Appl. No.: **29/847,347**

(22) Filed: **Jul. 23, 2022**

(51) **LOC (14) CL.** **10-04**

(52) **U.S. CL.**
USPC **D10/60**

(58) **Field of Classification Search**
USPC D10/57, 60
CPC B65D 75/26; B65D 85/38; G01J 5/021;
G01K 13/25

See application file for complete search history.

(56) **References Cited**

U.S. PATENT DOCUMENTS

3,809,228	A *	5/1974	Fowler	B65D 75/5805 383/200
4,136,776	A *	1/1979	Poncy	B65D 85/38 206/484
D287,829	S *	1/1987	Osaka	D10/57
D447,707	S *	9/2001	Kobayashi	D10/60
D803,706	S *	11/2017	Jackson	D10/60
D855,483	S *	8/2019	Aidehag	D10/60

* cited by examiner

Primary Examiner Antoine Duval Davis

(74) *Attorney, Agent, or Firm* iPA & iPM

(57) **CLAIM**

The ornamental design for a cylindrical sheathing, as shown and described.

DESCRIPTION

FIG. 1 is a perspective front view of a cylindrical sheathing showing my new design;

FIG. 2 is a perspective view from below thereof;

FIG. 3 is a front view thereof;

FIG. 4 is a back view thereof;

FIG. 5 is a left side view thereof;

FIG. 6 is a right side view thereof;

FIG. 7 is a top view thereof;

FIG. 8 is a bottom view thereof;

FIG. 9 is a perspective frontal view of the cylindrical sheathing allixed with an attachment on top;

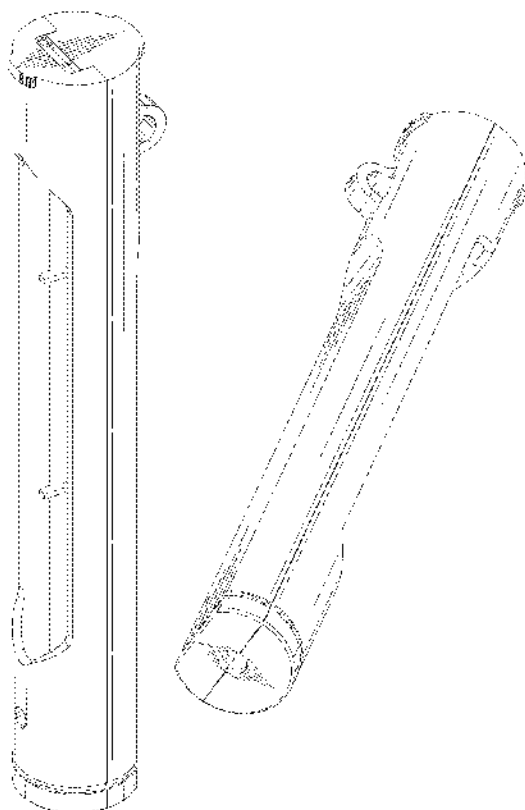
FIG. 10 is a perspective view of the cylindrical sheathing with an insert in its cavity;

FIG. 11 is a coronal sectional view along axis 11 from FIG. 7; and,

FIG. 12 is a coronal sectional view along axis 12 from FIG. 7.

Broken lines illustrate portions of the cylindrical sheathing or environmental subject matter that form no part of the claimed design.

1 Claim, 8 Drawing Sheets



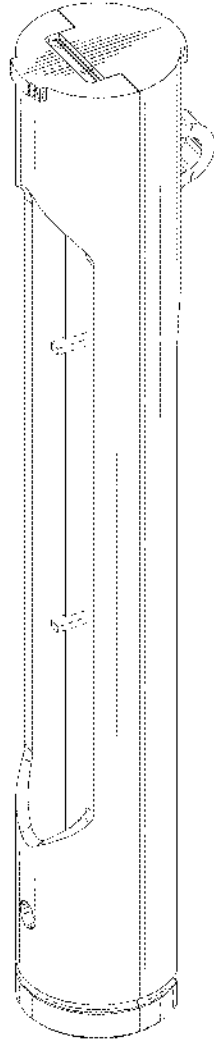


FIG. 1

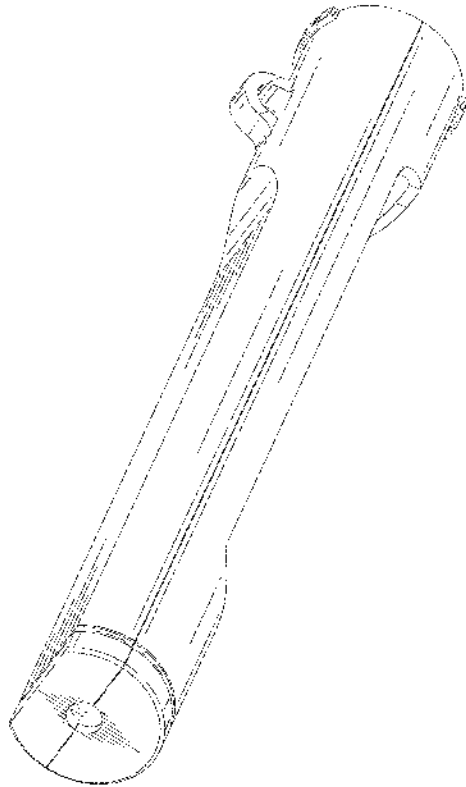


FIG. 2

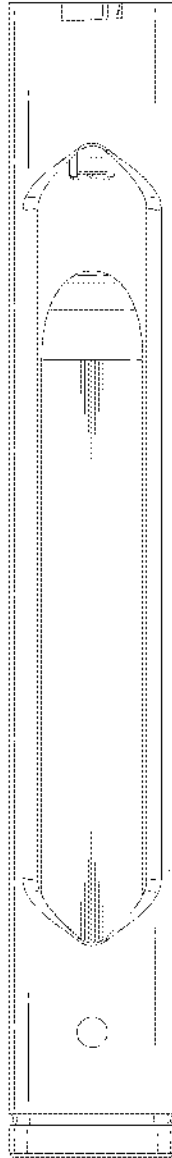


FIG. 3

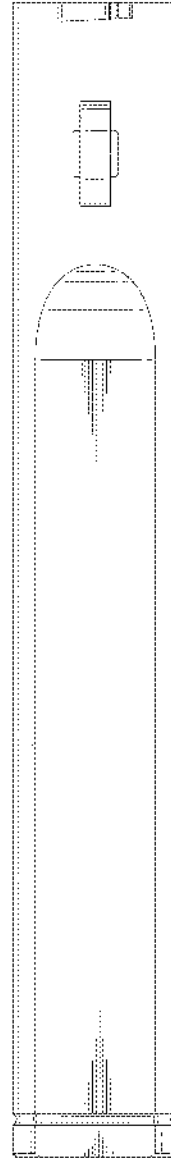


FIG. 4

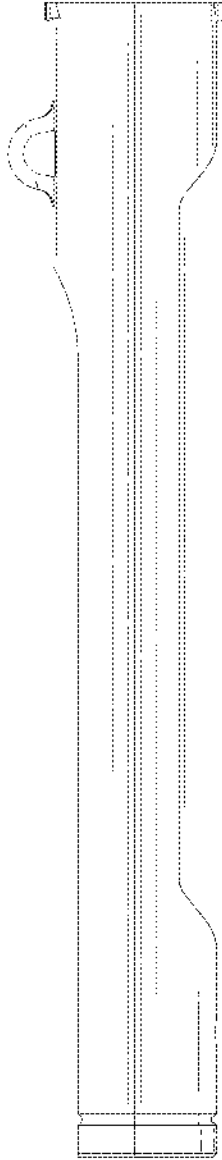


FIG. 5

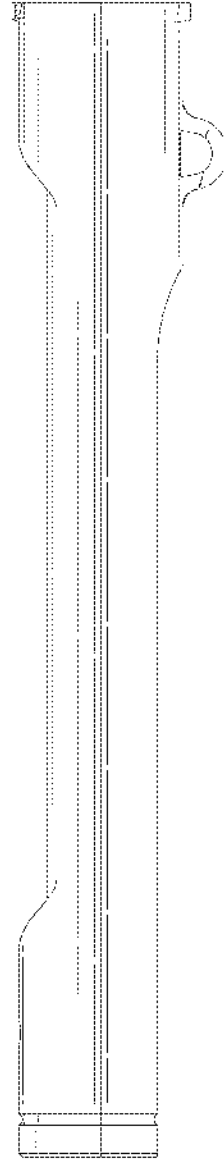


FIG. 6

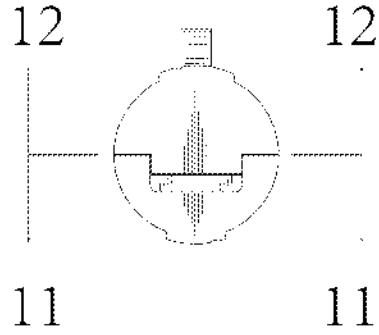


FIG. 7

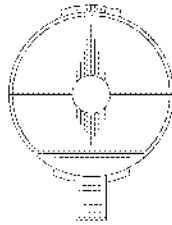


FIG. 8

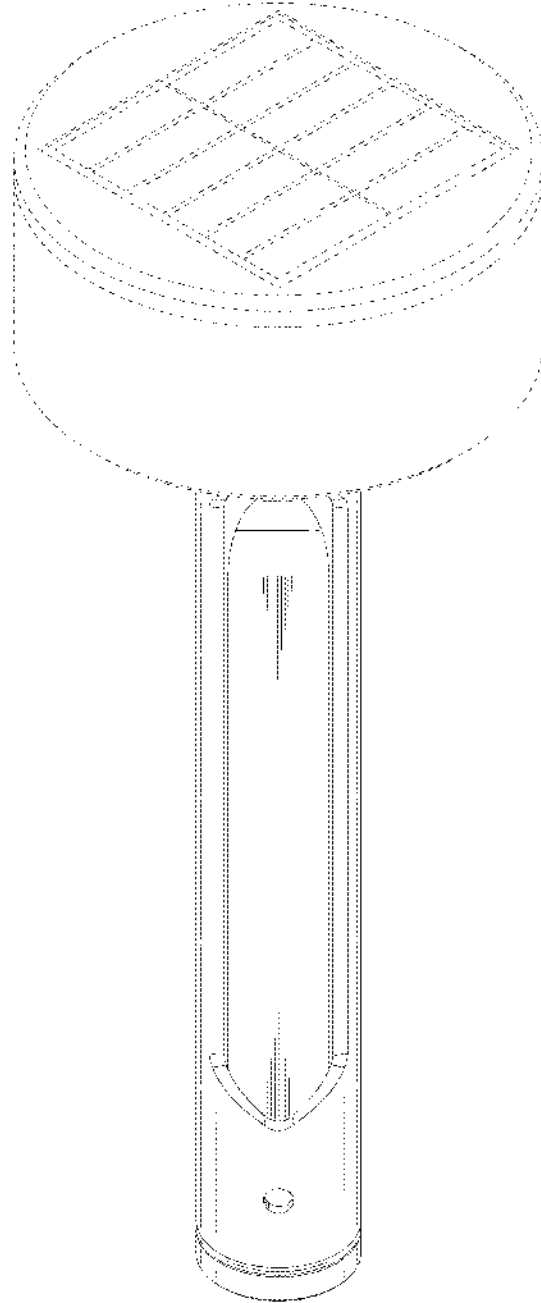


FIG. 9

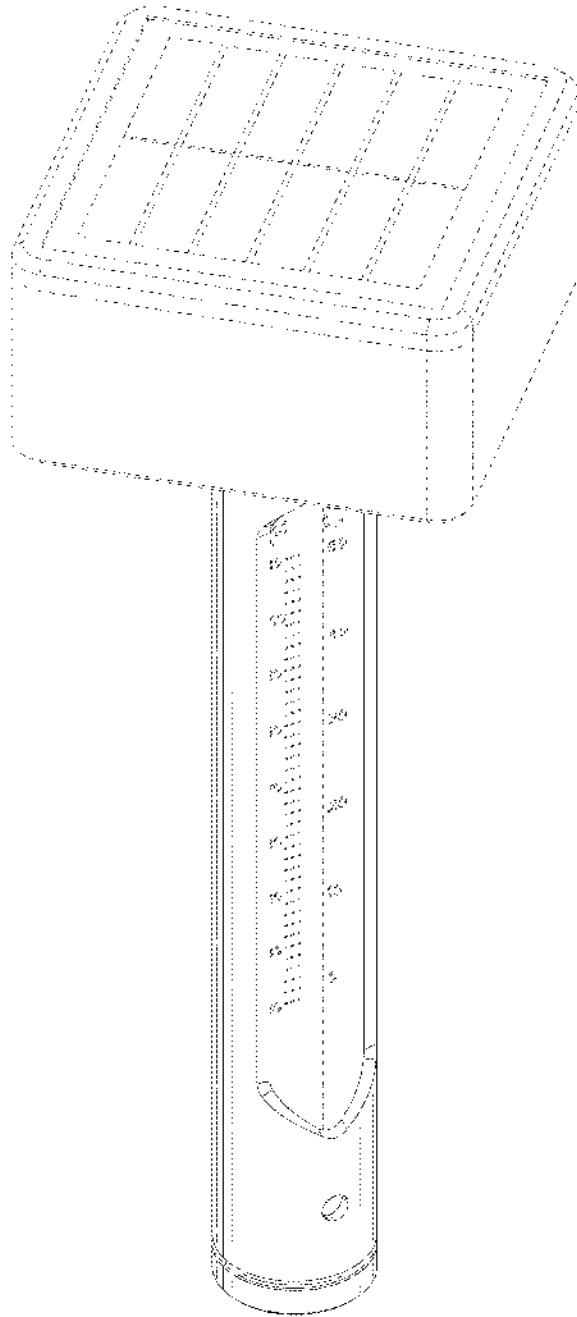


FIG. 10

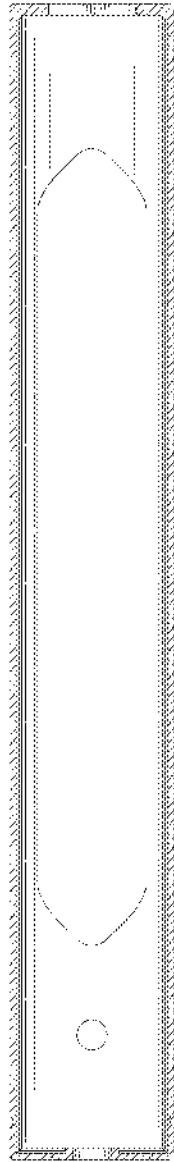


FIG. 11

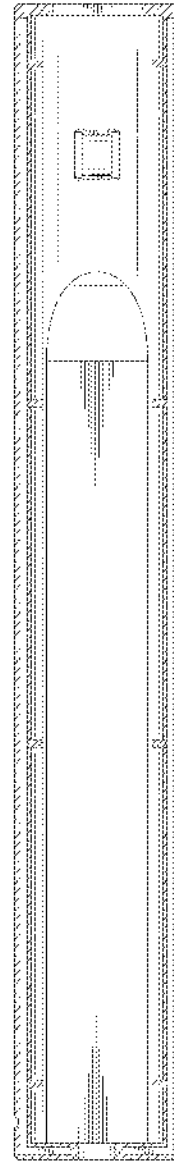


FIG. 12